

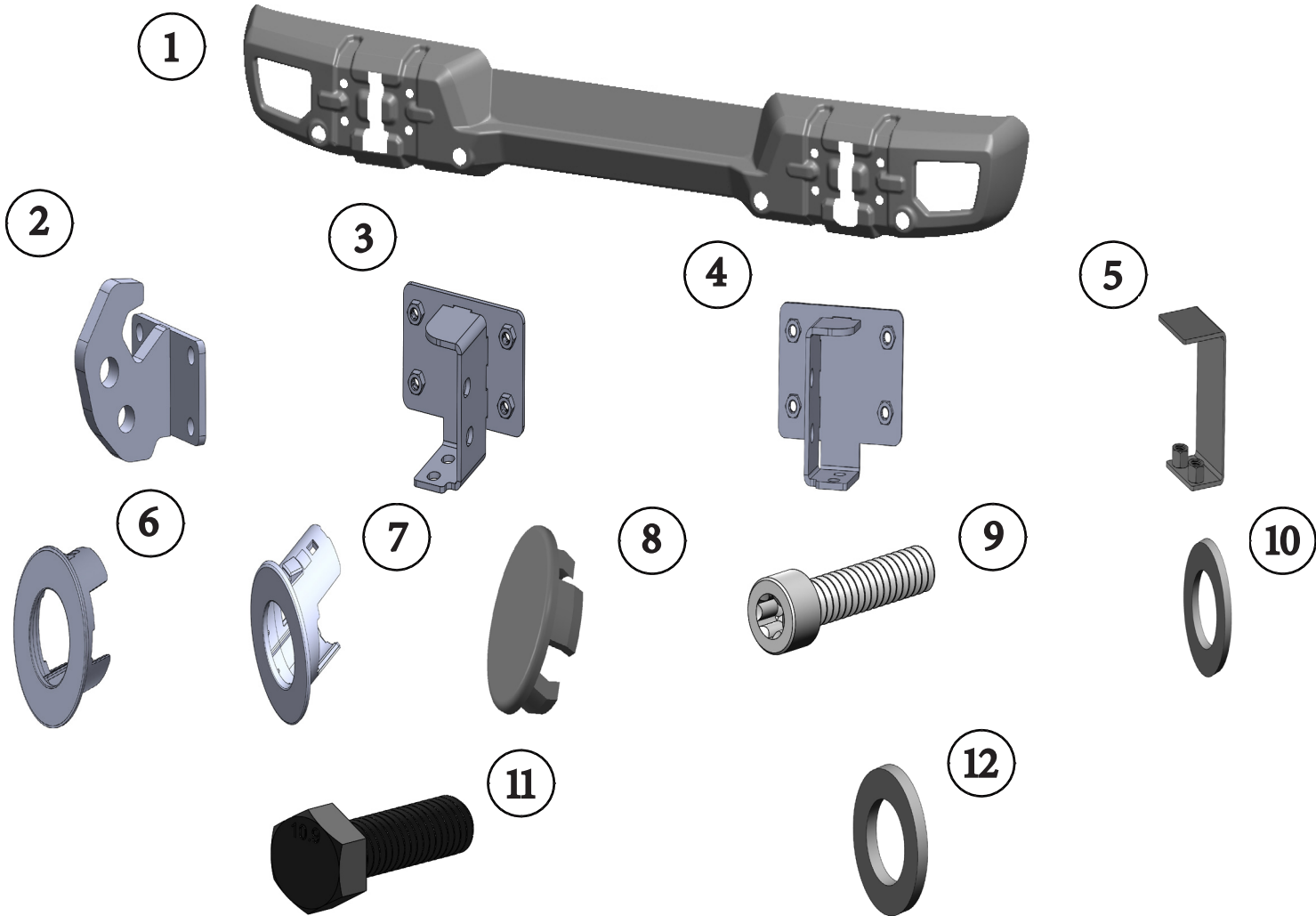


OMIX-ADA, Inc.

Part # 11549.17

460 HORIZON DR. SUITE 400 | SUWANEE, GA 30024 | PHONE: 770-614-6101 | FAX: 844-270-0593 | www.Omix-ADA.com

Arcus Rear Bumper, JL



Components

| | | | |
|------------------------------------|-----|----------------------------------|-----|
| 1. Bumper Shell..... | (1) | 7. Backup Sensor Holder, RH..... | (2) |
| 2. D- Ring Bracket..... | (2) | 8. Backup Sensor Plug..... | (4) |
| 3. Frame Mounting Bracket, LH..... | (1) | 9. M12 Torx Head Bolt..... | (8) |
| 4. Frame Mounting Bracket, RH..... | (1) | 10. M12 Flat Washer..... | (8) |
| 5. Frame Nut Plate..... | (1) | 11. M14 X 1.5 Hex Head Bolt..... | (4) |
| 6. Backup Sensor Holder, LH..... | (2) | 12. M14 Flat Washer..... | (4) |

OMIX-ADA® TECHNICAL SUPPORT
PHONE: M-F 8am - 5pm EST 1-800-449-6649

FOR WARRANTY OR TECH CONCERNS EMAIL: webmaster@omixsupport.com

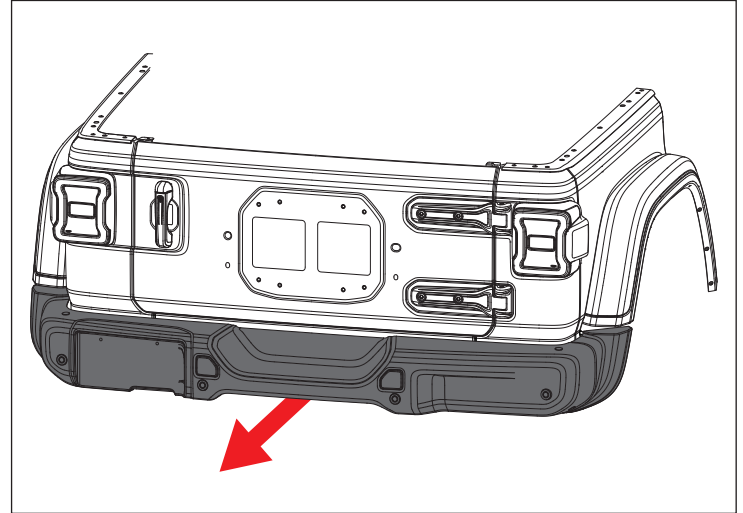


OMIX-ADA, Inc.

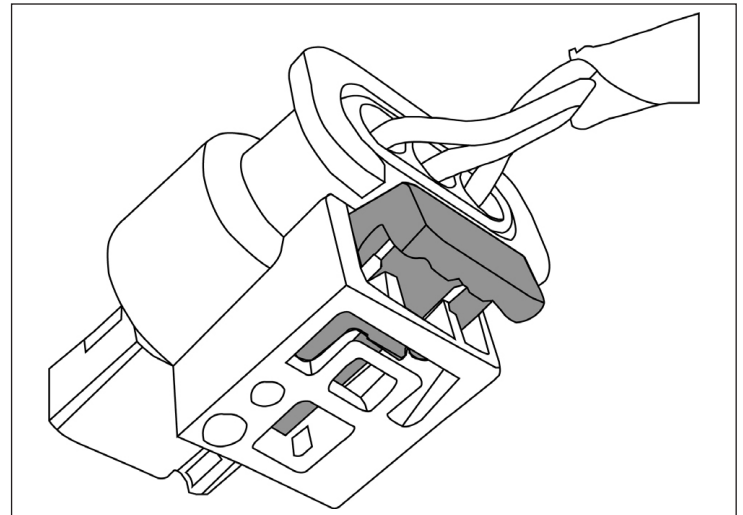
460 HORIZON DR. SUITE 400 | SUWANEE, GA 30024 | PHONE: 770-614-6101 | FAX: 844-270-0593 | www.Omix-ADA.com

Arcus Rear Bumper, JL

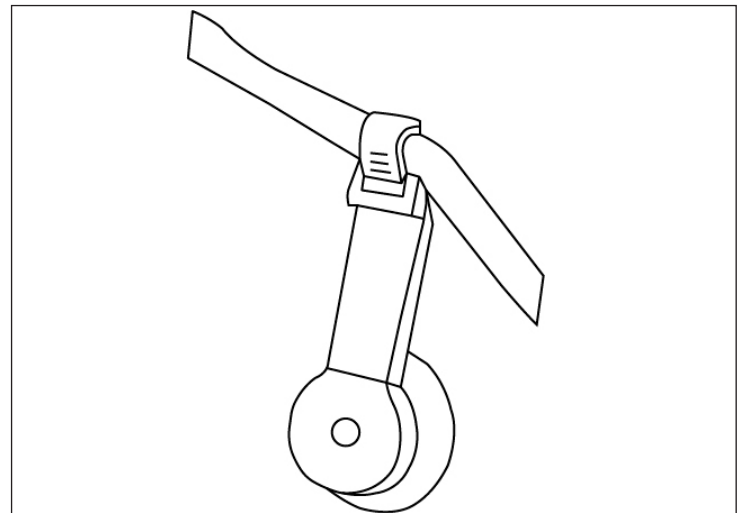
1. Remove the factory rear bumper. If vehicle is equipped with backup sensors, remove all from bumper.
(See Jeep documentation for instruction, if needed).



2. Remove the harness connectors from the sensors on the OE bumper. There is a gray clip on each one that can be pried backwards with a pick or screwdriver. Press the clip towards the wiring and pull the connector off.
Repeat for all four of the sensors.



3. Once all connectors are disconnected, use a flat-blade screwdriver to pop all the harness fasteners off the bumper. Remove the harness and set aside. Label each sensor on the OE bumper (outer left, inner left, inner right, outer right) with a sharpie or by other means.





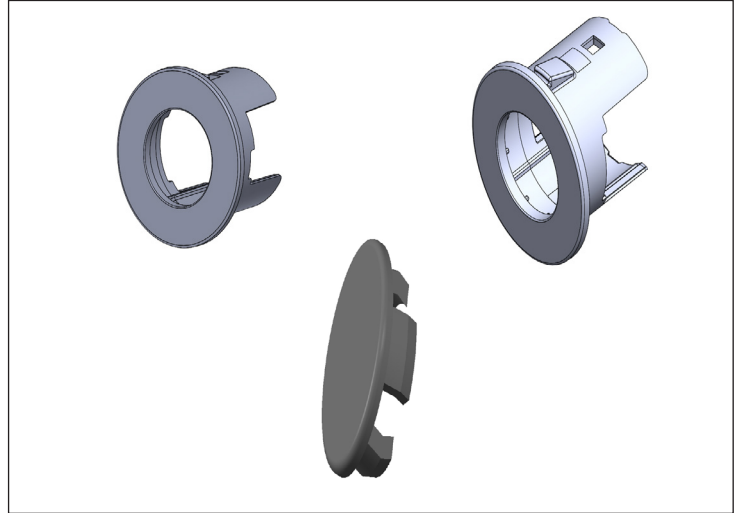
OMIX-ADA, Inc.

460 HORIZON DR. SUITE 400 | SUWANEE, GA 30024 | PHONE: 770-614-6101 | FAX: 844-270-0593 | www.Omix-ADA.com

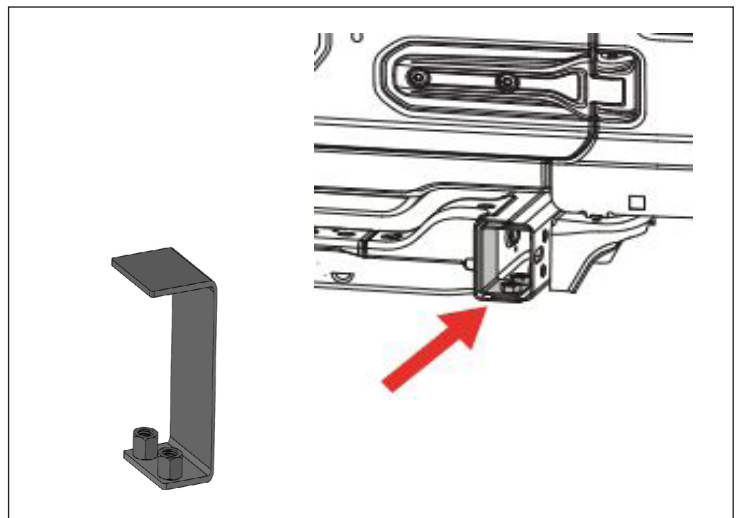
Arcus Rear Bumper, JL

4. For models with backup sensors, insert sensor holders to bumper. Use sensor plug for models without backup sensors in place of the above step.

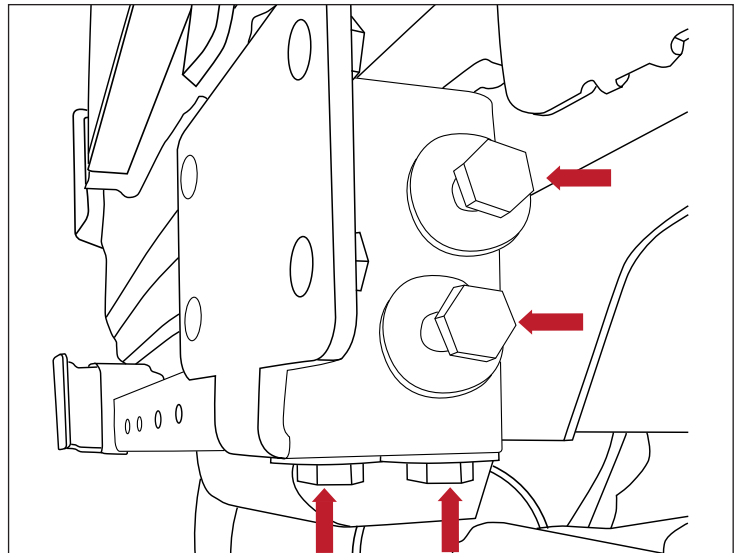
NOTICE When installing sensors, ensure plug side faces center of vehicle.



5. Install M14 nut plate into passenger side frame rail.



6. Affix Frame Mounting Brackets over the frame rails on both sides using M14 screws and washers underneath and sides.





OMIX-ADA, Inc.

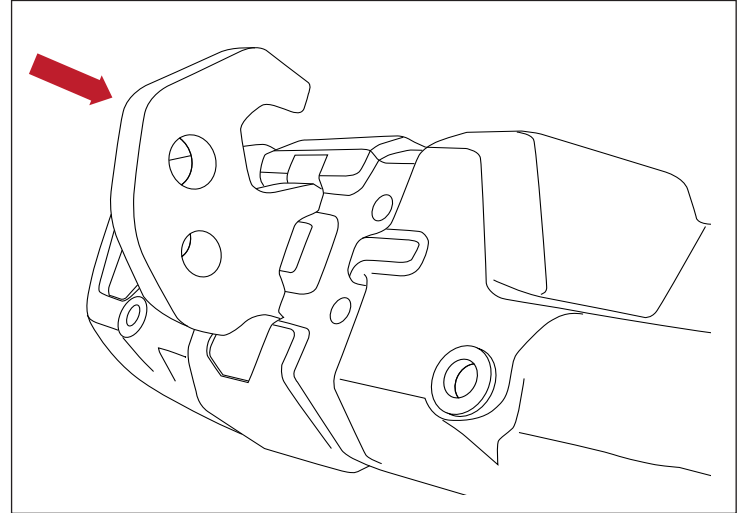
460 HORIZON DR. SUITE 400 | SUWANEE, GA 30024 | PHONE: 770-614-6101 | FAX: 844-270-0593 | www.Omix-ADA.com

Arcus Rear Bumper, JL

7. Align D-ring bracket through bumper shell. Lift bumper shell and D-ring bracket and place on the frame mounting brackets.

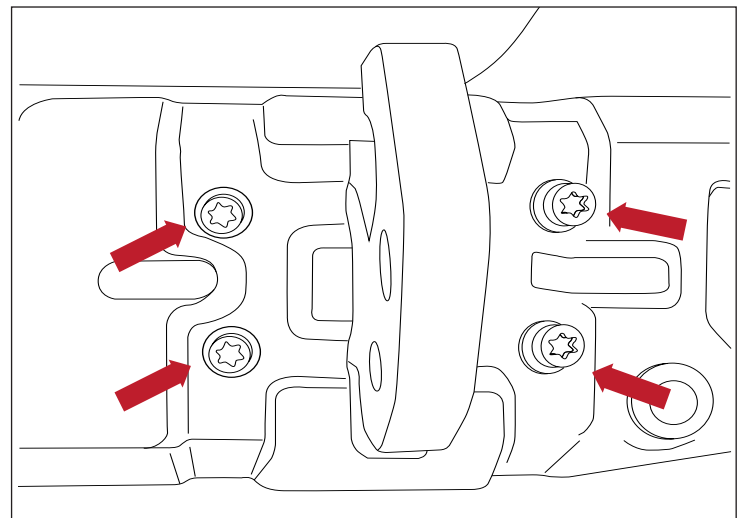
NOTICE

This step may require assistance from another person.



8. Align each M12 Torx bolts through the bumper D-ring plate and thread into the frame mounting brackets. Once all the torx bolts are in and final adjustments assure the bumper is level and even gaps to the body.

Once adjusted to desired position and fully tighten hardware.



9. Attach all four sensors. Route the wire harness so it won't be pitched.

Use zip ties where needed to keep wires from hanging.

